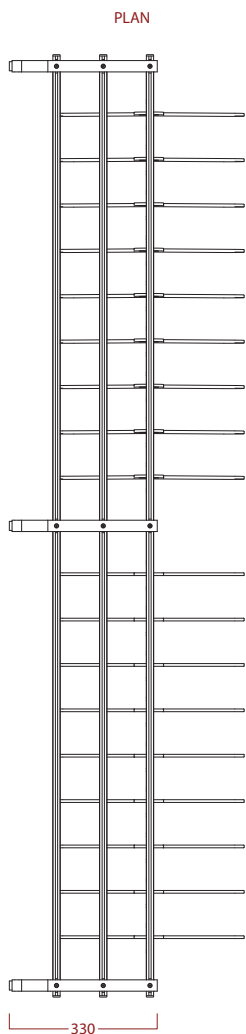
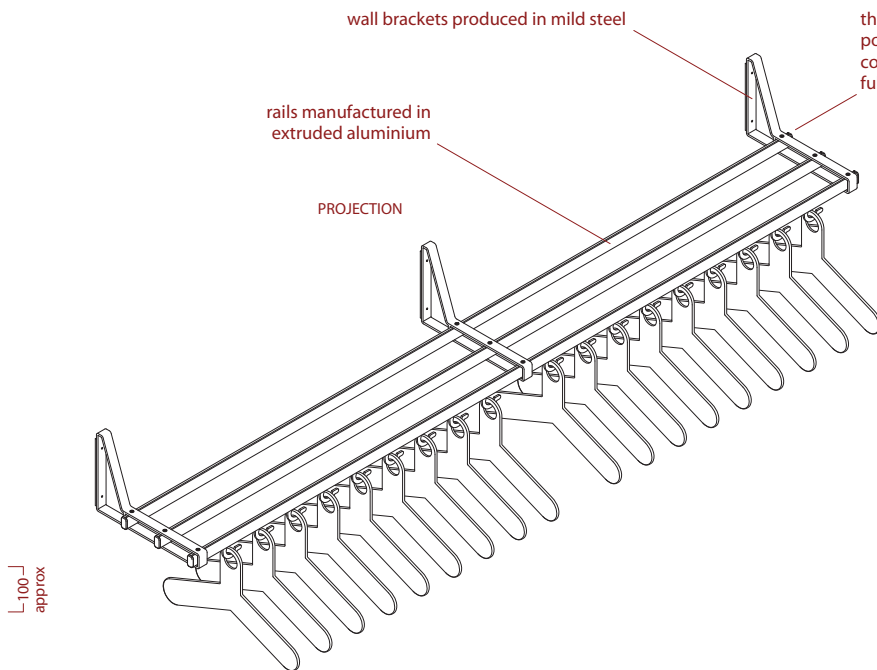


# variset NV range wall fixed shelf with acrylic hangers

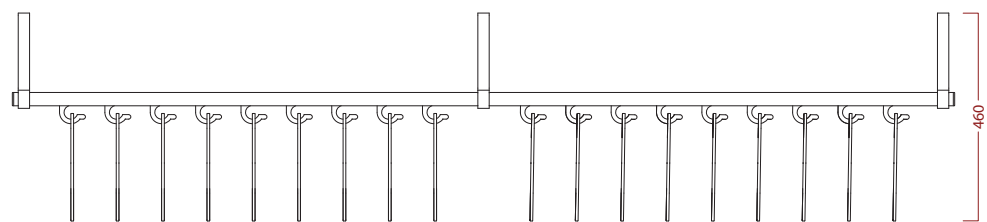
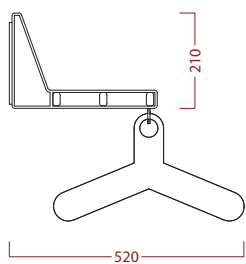
# NV1 PH



available in a range of colours



approx  
100



## N10 GENERAL FIXTURES/FURNISHINGS/EQUIPMENT

### NV1 PH 210 COAT RACKS For Changing Rooms

MANUFACTURER AJ Binns Limited, Harvest House, Cranborne Road, Potters Bar, Hertfordshire, EN6 3JF. Telephone 01707 855 555 fax 01707 857 56

email enq@ajbinns.com web www.ajbinns.com

PRODUCT REFERENCE Binns NV1PH Shelf. Wall mounted shelf and coat hanger system.

(Requires at least medium density blockwork walls)

MATERIAL Brackets: Mild Steel. Rails: Aluminium. Hangers: Acrylic.

FINISH/COLOUR Brackets: Powder Coated. Rails: Anodized/Powder Coated (delete as necessary).

OPTIONS Numbering/CRL Cable Locks/ Claimers

# binns

variset **benches, hooks, hangers & shelves** for changing rooms & cloakrooms  
variset® is designed by Royal Designer for Industry Kenneth Grange CBE, RDI

### AJ Binns Limited

Harvest House, Cranborne Road  
Potters Bar, Hertfordshire EN6 3JF  
Telephone 01707 85 5555 Fax 01707 85 7565  
email enq@ajbinns.com  
web www.ajbinns.com