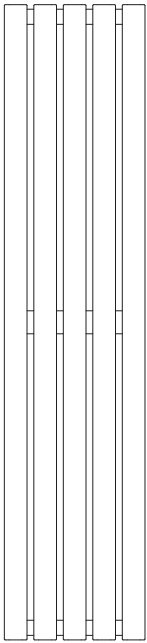


variset VZ range single width island bench seat with five slats

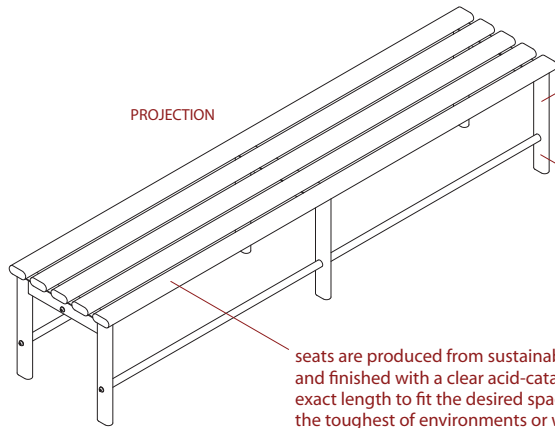
VZ5

PLAN



465

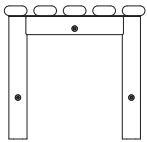
PROJECTION



the finish of the range is powder coated in colour combinations from the full RAL range

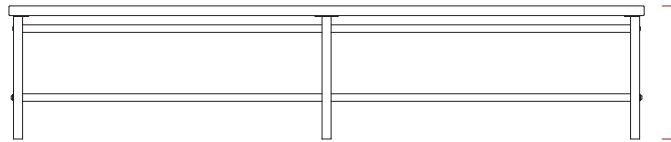
framework is made from hollow section heavy gauge steel tube and is a fully welded assembly

seats are produced from sustainable european white beech slats 32 x 75mm and finished with a clear acid-catalysed lacquer. slats are trimmed on site to exact length to fit the desired space. aluminium seating slats are available for the toughest of environments or where a high level of humidity is present



435

END ELEVATION



435

overall length as required
equally spaced supports at maximum 1250mm centres

FRONT ELEVATION



N10 GENERAL FIXTURES/FURNISHINGS/EQUIPMENT

VZ5 170 BENCHES For Changing Rooms

MANUFACTURER AJ Binns Limited, Harvest House, Cranborne Road, Potters Bar, Hertfordshire, EN6 3JF. Telephone 01707 855 555 fax 01707 857 56

email enq@ajbinns.com web www.ajbinns.com

PRODUCT REFERENCE Binns VZ5 Bench Unit. Island bench unit.

MATERIAL Mild Steel

FINISH/COLOUR Powder Coated

FITTINGS Beech Slats/Powder Coated Aluminium Slats

binns

variset **benches, hooks, hangers & shelves** for changing rooms & cloakrooms
variset® is designed by Royal Designer for Industry Kenneth Grange CBE, RDI

AJ Binns Limited

Harvest House, Cranborne Road
Potters Bar, Hertfordshire EN6 3JF
Telephone 01707 85 5555 Fax 01707 85 7565
email enq@ajbinns.com
web www.ajbinns.com