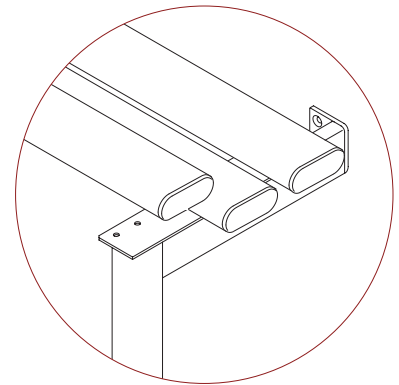


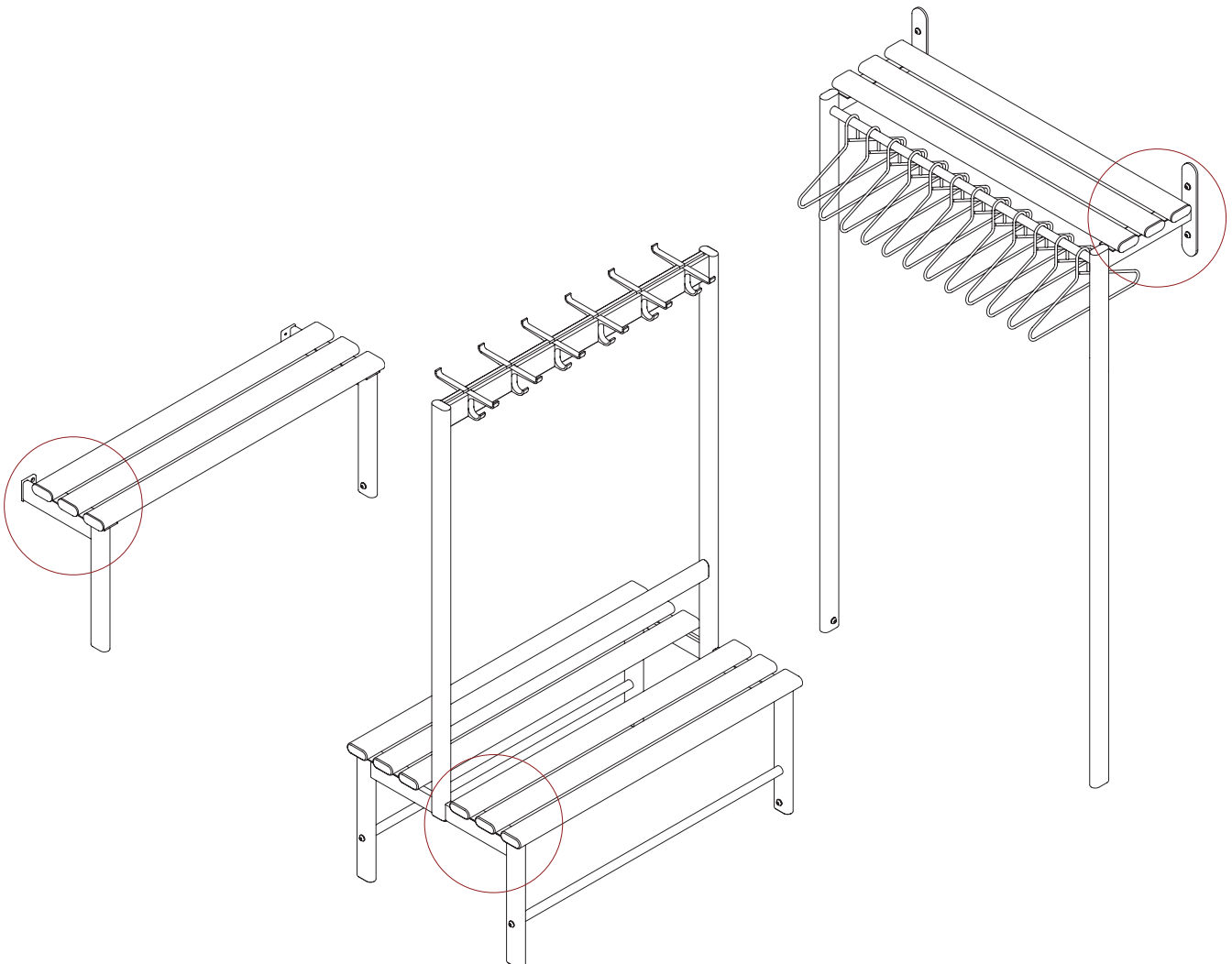
variset VZ range
wood slats jointing and fixing guides
2 frame units
maximum length 1310mm

SHEET 1

- 1 For shorter 2 frame units slats must be cut to length on site.
- 2 Check delivery note for length of unit and number of frames.
- 3 1310mm long slats are supplied.
- 4 If the unit is shorter than 1310mm one end only of the slat must be cut leaving a 30mm overhang from the centre line of the frame.
- 5 This cut this should be radiussed to match the opposite end and finished with suitable lacquer.
- 6 Using the screws provided, fix the slats by screwing twice, from below, through the fixing plates.
- 7 Make sure the best face is fixed upwards.



for shorter, non standard lengths
a radiussed end has to be applied to the cut



binns

variset **benches, hooks, hangers & shelves** for changing rooms & cloakrooms
variset® is designed by Royal Designer for Industry Kenneth Grange CBE, RDI

AJ Binns Limited
Harvest House, Cranborne Road
Potters Bar, Hertfordshire EN6 3JF
Telephone 01707 85 5555 Fax 01707 85 7565
email enq@ajbinns.com
web www.ajbinns.com