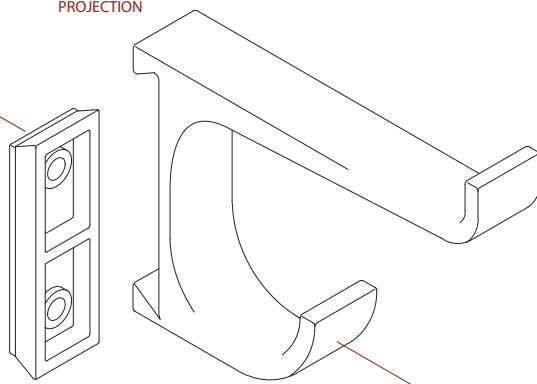
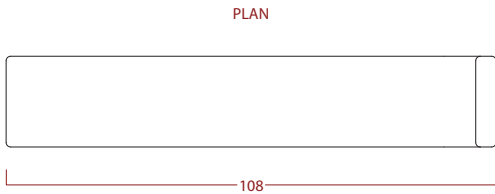


# variset single & multiple hooks single hat and coat hook

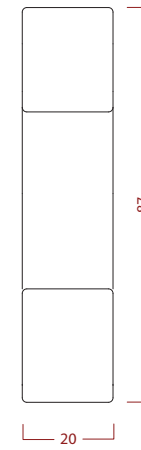
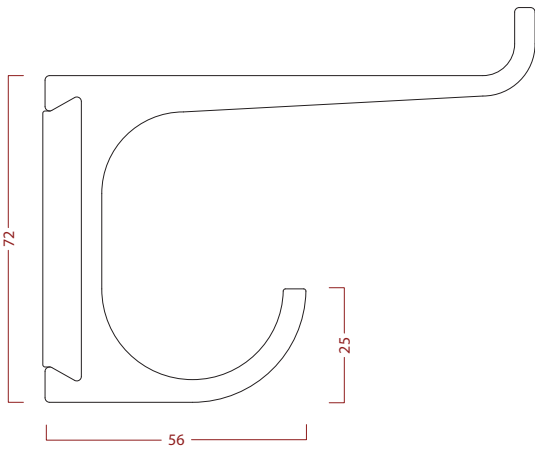
# V1H

single hooks use the integral moulded ABS block screw-fixed to the wall onto which the hook is secured with a grub screw

PROJECTION



hooks manufactured in extruded aluminium available in silver anodised aluminium or powder coated in colour combinations from the full RAL range



## N10 GENERAL FIXTURES/FURNISHINGS/EQUIPMENT

V1H 210 COAT RACKS For Changing Rooms

MANUFACTURER AJ Binns Limited, Harvest House, Cranborne Road, Potters Bar, Hertfordshire, EN6 3JF. Telephone 01707 855 555 fax 01707 857 56

email enq@ajbinns.com web www.ajbinns.com

PRODUCT REFERENCE Description

MATERIAL Material/Material/Material

FINISH/COLOUR Finish/Colour

FITTINGS Fittings/Fittings/Fittings

# binns

variset **benches, hooks, hangers & shelves** for changing rooms & cloakrooms  
variset® is designed by Royal Designer for Industry Kenneth Grange CBE, RDI

## AJ Binns Limited

Harvest House, Cranborne Road  
Potters Bar, Hertfordshire EN6 3JF  
Telephone 01707 85 5555 Fax 01707 85 7565  
email enq@ajbinns.com  
web www.ajbinns.com