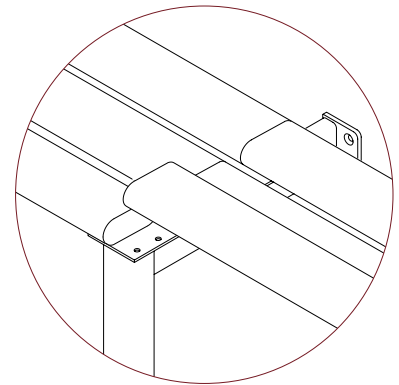


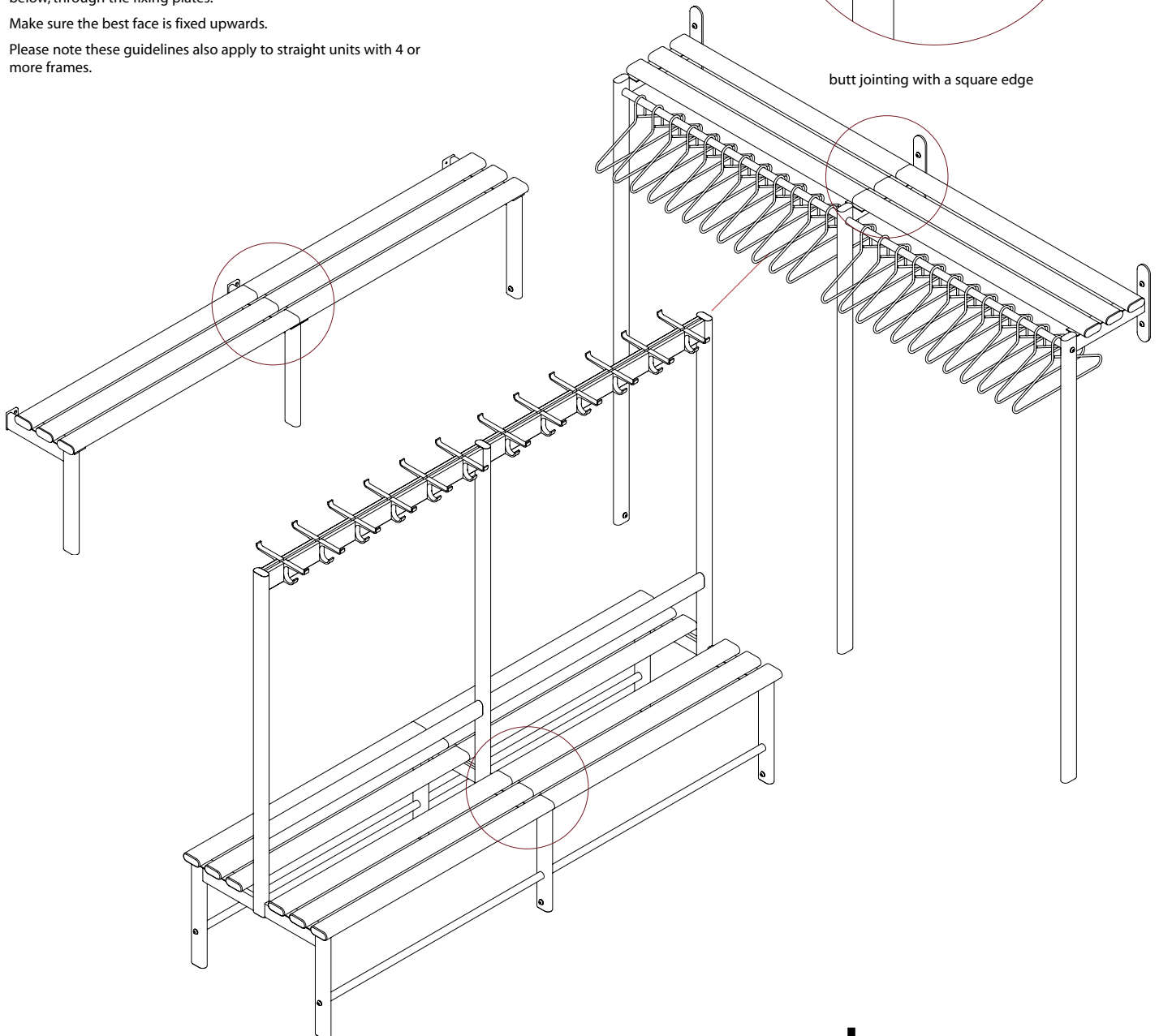
**variset** VZ range  
wood slats jointing and fixing guides  
3 frame units  
standard lengths 1800mm & 2560mm

# SHEET 2

- 1 3 frame units can be shorter than 1800mm or 2560mm. Where this occurs standard slats are cut to length on site.
- 2 Check delivery note for length of unit and number of frames.
- 3 Using the standard length slats provided, work out how much the slat needs to be shortened. Cut from the middle of the slat leaving the pre-radiussed ends to overhang 30mm from the centre line of the frame.
- 4 Using the screws provided, fix the slats by screwing twice, from below, through the fixing plates.
- 5 Make sure the best face is fixed upwards.
- 6 Please note these guidelines also apply to straight units with 4 or more frames.



butt jointing with a square edge



## binns

variset **benches, hooks, hangers & shelves** for changing rooms & cloakrooms  
variset® is designed by Royal Designer for Industry Kenneth Grange CBE, RDI

**AJ Binns Limited**  
Harvest House, Cranborne Road  
Potters Bar, Hertfordshire EN6 3JF  
Telephone 01707 85 5555 Fax 01707 85 7565  
email enq@ajbinns.com  
web www.ajbinns.com